

Boiler Feed.

THE SUNFLO LINE OF INDUSTRIAL GRADE PUMPS ARE THE PERFECT SOLUTION FOR BOILER FEED WATER SYSTEMS USED IN STEAM AND POWER GENERATING APPLICATIONS WHERE EFFICIENCY, PERFORMANCE, AND UPTIME ARE CRITICAL.

INDUSTRIAL GRADE PUMPS

MULTISTAGE PERFORMANCE IN A SINGLE STAGE DESIGN

Best Efficiency Point is the operating Point which is maintained over the life of the pump.

CLOSE COUPLED

Eliminates Alignment Issues and simplifies installation.

LOW NPSHr PERFORMANCE

Sunflo inducer technology provides for industry leading low NPSHr allowing for lower deaerator heights and reduced construction costs.

ROBUST BEARING SYSTEM

Sunflo bearing systems are designed to fully handle all hydraulic loading without dependence on problematic thrust balancing devices. This provides tolerance to system upsets including suction transients that commonly result in failure of designs utilizing such devices.

316SS CONSTRUCTION

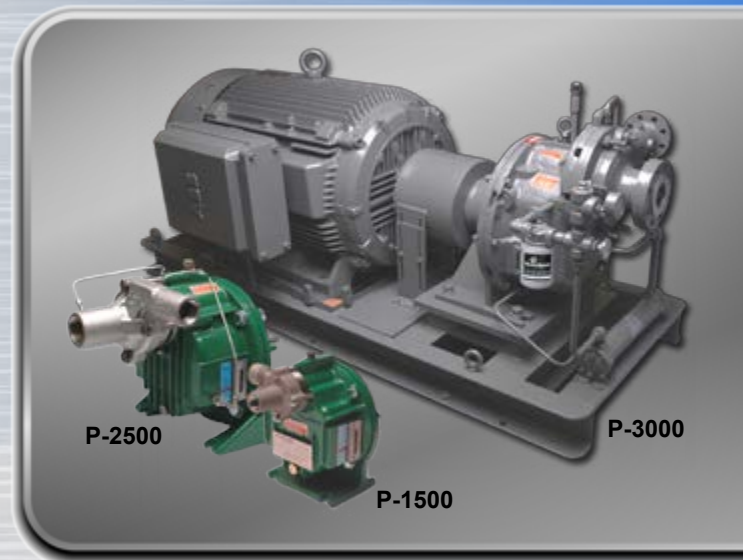
Provides corrosion free service in a small package reducing initial installation and life-cycle costs.

BARSKE OPEN IMPELLER

Pump impeller design clearances provide thermal stability thus eliminating pre-warming requirements.

MAINTENANCE IN PLACE

No need to remove and send pump out for repairs, quick removal and replacement of cartridge shaft assembly on site in an hour or two.



TYPICAL POWER AND STEAM GENERATIONS APPLICATIONS

Hospitals

Universities

Industrial

FOR

Boiler Feed Water

Desuperheating

Condensate



Call Toll-Free Today! 1-866-SUNDYNE

**RELIABILITY
REALIZED.**

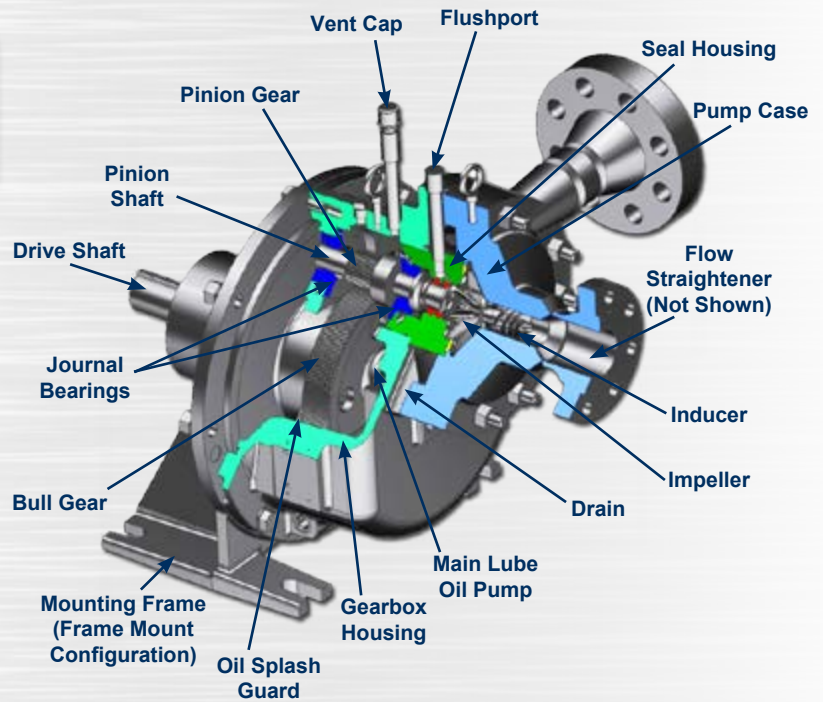
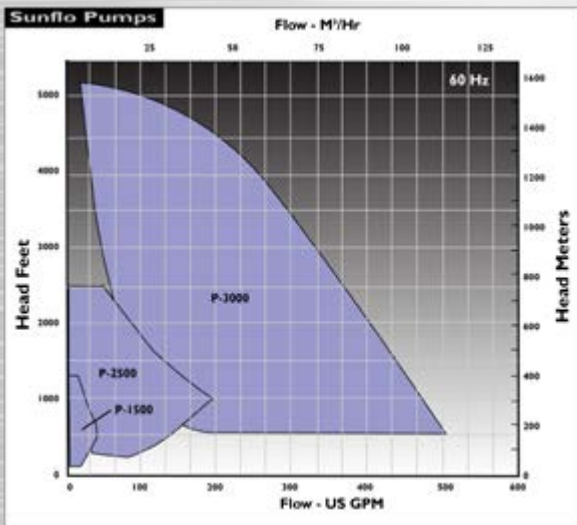
TYPICAL PROCESS CONDITIONS

| |
|---|
| Heads: 500 to 5,200 ft (180 to 1,585 m) |
| Flows: 0 to 500 gpm (0 to 114 m ³ /hr) |
| Max Power: 400HP |
| Temp Range: -50 to 350°F (-46 to 177°C) |
| Number of Stages: 1.0 |
| Max Case Working Pressure: 3,750 psi (264 kg/cm ²) |
| Max Suction Pressure: 350 psi (25 kg/cm ²) |
| Materials of Construction: 316SS standard. Duplex and other alloys available. |

TYPICAL PROCESS CONDITIONS

| |
|--|
| Hydrotest Pressure: 5,625 psi (395 kg/cm ²) |
| Max Viscosity: 10 cp |
| Solids Range: 0.015" (0.381 mm) (400 microns) |
| Number of Available Hydraulics: 500+ |
| Seal Configurations Available: Single, Double |
| Available Inducer: Yes |
| Suction and Discharge Size: 1"x1", 2"x1-1/2", 3"x2", 4"x3" |
| Seal Plans for Sunflo Pumps: 11,12,13,21,23,31,41,53 |

Maintenance as Easy as...



Visit our website at: www.sundyne.com